

# RIO

DUS244 Satin Aluminum

Project:

Type:

Cat. No.:

LED Surface wall luminaire. indirect up/down sconce.  
Driver included.

**FIXTURE:**

**Mounting:** surface wall

**Finish:** Satin Aluminium

The Satin Aluminum finish is "brushed aluminium w/clear coat".

**Material:** Aluminium

Wet Location Listed (for use indoors and outdoors)

CSA/US Listed

**LAMP/LED SOURCE/COLOR TEMP:**

-830

2x1W LED / 3000K / CRI ≥ 80 / 2x160lm

Efficacy (CRI ≥ 80): 160lm/W, Rated life > 50000hrs

**DRIVER:**

-120V-DRI

Class 2 120Vac/60Hz, not dimmable

Power factor ≥ 0.9 / Flicker (THD) ≤ 20%, Constant current 350mA

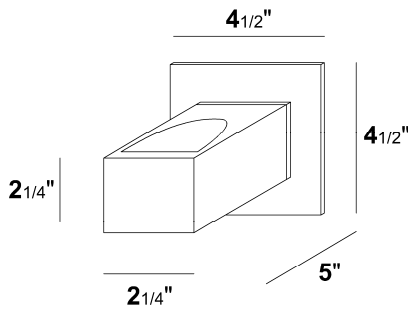


Shown above: DUS244-satin alu-2x1W-830-120V-DRI

photometric files, dimming compatibility list and warranty information available online at [www.dslightingus.com](http://www.dslightingus.com)

## Measurements (Inches)

## Light Distribution



n/a

### ORDERING INFORMATION

### -SUFFIX

| Model Number | Finish     | LED Source | Color Temp. | Driver    |
|--------------|------------|------------|-------------|-----------|
| DUS244       | -satin alu | -2x1W      | -830        | -120V-DRI |
| -            | -          |            |             |           |
| -            | -          |            |             |           |
| -            | -          |            |             |           |

Example of Catalog #: DUS244-satin alu-2x1W-830-120V-DRI

DLS Lighting US  
3135 SR 580, Suite 6  
Safety Harbor, FL 34695  
[www.dslightingus.com](http://www.dslightingus.com)  
[dlsus@dslightingus.com](mailto:dlsus@dslightingus.com)

