

CLEO

DUS617 Black
 DUS619 Brass

LED Surface ceiling pendant luminaire. Direct downlight. Driver included.

FIXTURE:

Mounting: surface ceiling
Finish/Reflector: Black, Brass
Material: Aluminum, glass lens optics
 Damp Location Listed (for use indoors)
 CSA/US Listed

LAMP/LED SOURCE/COLOR TEMP:

-827
 1x7W LED / 2700K / CRI ≥ 80 / 655lm
 Efficacy (CRI ≥ 80): 93lm/W, Rated life > 50000hrs
-927 Higher CRI on request

DRIVER:

-120V-DIM
 Class 2 120Vac/60Hz, TRIAC/ELV dimmable (leading/trailing edge),
 Power factor ≥ 0.9 / Flicker (THD) ≤ 20%, Constant current 350mA

OPTIONS:

-2M 78-3/4" Cord (Standard)
-5M 197" Cord

Further mounting options see DUS-LP5, DUS-LP7 and DUS-LP8 spec sheets.

photometric files, dimming compatibility list and warranty information available online at www.dslightingus.com

Project:

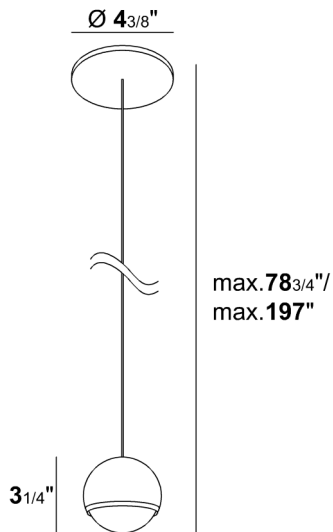
Type:

Cat. No.:

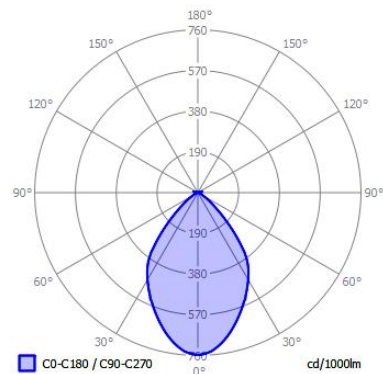


Shown above: DUS619-brass-2M-7W-827-120V-DIM

Measurements (Inches)



Light Distribution



Offset [ft]	Diameter [ft]	Illuminance [ftc]
2.0	2.98	58.7
4.0	5.95	14.7
6.0	8.94	6.5
8.0	11.92	3.6
10.0	14.90	2.3
12.0	17.88	1.6

ORDERING INFORMATION

-SUFFIX

Model Number	Finish	Length		LED Source	Color Temp.	Driver
DUS617	-black	-2M	-5M	-7W	-827	-120V-DIM
DUS619	-brass					
-	-	-	-	-	-	-
-	-	-	-	-	-	-

Example of Catalog #: DUS617-black-2M-7W-827-120V-DIM

DLS Lighting US
 3135 SR 580, Suite 6
 Safety Harbor, FL 34695
www.dslightingus.com
dlsus@dslightingus.com

